

**CX C-SERIES HYDRAULIC EXCAVATORS
CX75C SR | CX80C MSR**

CASE

CONSTRUCTION

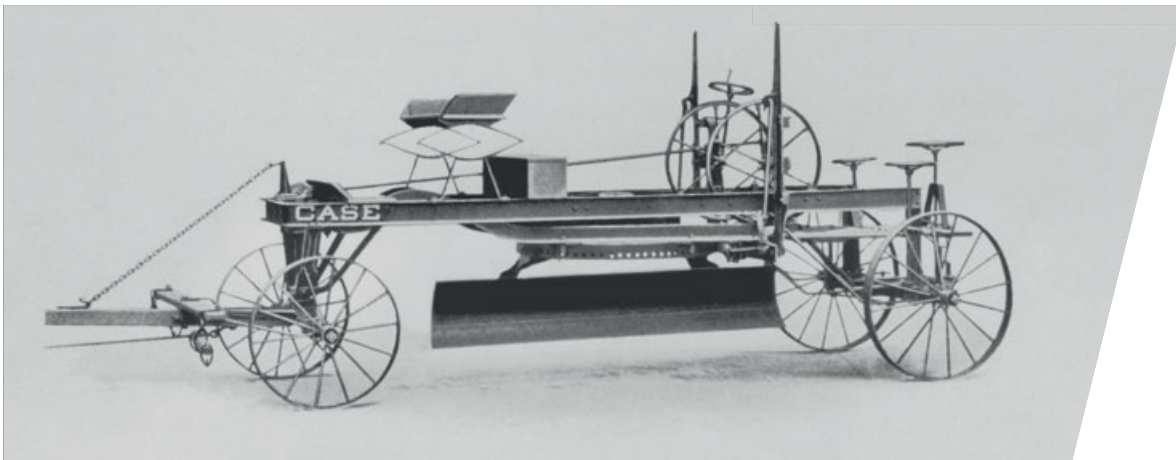


**THE CITY-FRIENDLY
EXCAVATOR**

www.casece.com

**EXPERTS FOR THE REAL WORLD
SINCE 1842**

ACROSS HISTORY



EXPERTS FOR THE REAL WORLD SINCE 1842

1842 Case is founded.

1869 The first Case portable steam engine - road construction is born.

1957 The first factory - integrated loader/backhoe in the world: a Case industry first.

1969 Case begins skid steer loader production.

1992 Sumitomo becomes supplier to Case Corporation

distributing excavators ranging from 7 to 80 tons.

1998 Global Alliance signed between Case Corporation and Sumitomo.

2001 Case introduces the first of its CX excavators, powerful new "thinking machines," designed to enhance productivity through onboard intelligence features.

2007 CX210B is awarded the

«Good Design Award» by the design Academy of Japan.

2013 Case introduces the brand new CX-C Series Midis and Excavators, powerful new "thinking machines", designed to enhance productivity through onboard intelligence features.

2015 Case launches the new "D series" Tier 4 final/ EU Stage IV Crawler Excavators.

TIER 4 FINAL WITHOUT COMPROMISES



UNIQUE TIER 4 FINAL TECHNOLOGY!

No DPF regeneration with DOC-only solution

Our midis meet Tier 4 Final regulations without the need for a Diesel Particulate Filter (DPF). This means no need for filter regeneration, no fuel used to burn particulate matter and no need to replace an expensive DPF. Emissions are minimized by cutting fuel consumption with an efficient common rail engine and an advanced variable control Cooled Exhaust Gas Recirculation system. Then, a Diesel Oxidation Catalyst (DOC) reduces the pollutants in the exhaust gas through a chemical reaction. The DOC does not need to be replaced; it lasts the whole machine's lifecycle. This system is highly efficient and very simple.

Power is always available...

C-Series mid-size excavators feature a highly reliable 4-cylinder 56 hp Isuzu Motor engine. The turbo-charged system together with the intercooler ensure a prompt and powerful response to loads and contributes to generating more power out of every drop of fuel.



...and fuel is only used when needed!

The standard Auto-Idle system saves fuel and cuts emissions by automatically reducing engine speed (up to 1,200 rpm) after 5 seconds of machine inactivity. If this continues for a certain period of time, the idle shut down function detects the continuous low idle condition and automatically stops the engine, further reducing emissions and fuel consumption. The idle shut down function lengthens service intervals, lowering operating costs, and increases the machine's residual value because it accumulates fewer hours. Both auto-idle and idle shut down functions can easily be deactivated from the instrument cluster.

Three different working modes (SP, H, Auto) add more fuel savings without compromising on performance.

- | | | |
|-----------|----------------------------|--|
| A | AUTO MODE | A-MODE is most appropriate for grading, lifting and precision work. |
| H | HEAVY MODE | H-MODE delivers the best balance between productivity and fuel economy. |
| SP | SPEED PRIORITY MODE | SP-MODE provides extra speed and power for the most demanding jobs that require maximum productivity. |

IT'S ALL ABOUT PRODUCTIVITY



FAST CYCLES

High performance hydraulics

The higher hydraulic oil flow (148 l/min, + 9%) results in a 7% faster machine compared to the previous series.

Additional flow allows increased arm breakout force (+ 3%), improving overall digging performance:

- Bucket digging force: 56.9 kN
- Arm digging force: 39.5 kN

The innovative pump transition reduction control is a very accurate system that continuously monitors machine operations and then decreases pump loads whenever possible. As a result, hydraulic power is available on demand and fuel consumption is minimised.



INCREASED STABILITY

Redesigned dozer blade

A longer blade provides increased stability when working on slopes and allows to climb on higher piles. In addition, the blade curve has been redesigned so that mud does not pile on the blade frame.

GREAT VERSATILITY



BOOM TYPES FOR EVERY NEED

Offset boom:

It increases the working area without repositioning the machine. Comfortable side digging due to excellent view of the bucket or attachment at work. The minimum working distance allows for operations in very tight spaces.

Mono boom:

It can work in only 2920 mm (1630 mm front swing + 1290 mm tail swing). The same mono boom design of larger excavators provides outstanding robustness and reliability.

Swing boom:

Excellent manoeuvrability and maximum reach. The generous swing angles (left 80° ; right 45°) combined with excellent visibility in every direction contribute to increased productivity.



MORE WORKING HOURS WITHOUT REFUELLING

Bigger fuel tank

120 litre fuel tank: 20% bigger than in the B-Series, it results in more uptime. The optional fuel tank refill pump adds to the operator's satisfaction.

		CX75C SR	CX80C MSR
MONO BOOM	Short Arm	1.69 m	
	Long Arm	2.19 m	
OFFSET BOOM	Short arm	1.75 m	
	Long Arm	2.10 m	
SWING BOOM	Short arm		1.69 m
	Long Arm		2.19 m



SAFETY

WITHOUT COMPROMISE



HIGH VISIBILITY

Everything in front of your eyes

Cab visibility

The large cab with its huge glazed area provides outstanding visibility all round and on to the bucket or attachment allowing easier and safer operations.

The left pillar has been removed and the glazed surfaces on the left side, on the front and on the right side have been dramatically increased.

Work safely in tight spaces

The short tail and front swing radius design make C-Series mid size excavators the best solution to work efficiently in confined spaces. The compact design minimises disruption in urban and road jobsites, as well as the possibility of hitting something when swinging the upper structure of the machine.

The smooth and round shape design of the new cab was studied for maximum reliability and functionality. The CX75C SR can work in a space of less than 3 meters wide!





COMFORTABLE AND SAFE CAB

Built for long working hours

Outstanding roominess

Same cab as larger CASE excavators, which means:

7% wider cab - 11% more foot space

The joystick lever to travel lever clearance has been increased by 31%!

Improved comfort and durability

The redesigned cab is not only safer but also more comfortable and durable.

Impacts and vibrations on the cab are effectively absorbed by the 4-point fluid mounting system, providing a pleasant ride and reducing noise levels inside the cab.

The structure of the cab has now square section pillars, which contribute to its robustness and durability.

Safety first

The cab of C-Series midis has been completely redesigned, meeting ROPS and FOPS Level 1 safety standards, and ensuring best-in-class operator protection. FOPS Level 2 as well as front stone guard protections are available as optional features.

Safe cab accessibility

The ergonomic hand rails, together with a wide door and new foot steps on the undercarriage make cab access easy and safe.

OPERATORS DESERVE IT



EASE OF USE

More features

The standard full color monitor is conveniently located so that it is easy to read but has minimum impact on front and right side visibility.

Every machine is equipped with the efficient automatic A/C, which creates a pleasant climate inside the cab with its 6-vent system combined with a high wind flow of 430 m³/s. The new A/C is not only 20% stronger than the B Series' system, it is also quieter.

Proportional controls of the first and second auxiliary circuits can be ordered as optional for maximum controllability and comfort, when the machine is used with hydraulic powered attachments.

The rear and side view cameras are other interesting features that contribute to more safety on the jobsite and reduce operator fatigue.



Rear view camera: more safety on the jobsite



Full-color 7" LCD cluster: modern look and complete info



Automatic A/C: excellent cab climate control

EASY MAINTENANCE



SAFE AND EASY MAINTENANCE

The hydraulic system, filters, engine and radiators can easily be reached from ground level, allowing intuitive, safe and fast maintenance operations. The whole layout of the machine has been optimised, prioritising simplicity of maintenance. The results are outstanding: a 40% improvement on the SAE serviceability index!

Convenient access from the cab

The A/C internal recirculation filter and the fuse box are now easily accessible from inside the cab.

Simplified diagnostics

The built-in monitor system includes a self-diagnosis system that alerts the operator in case of clogged air, oil or hydraulic filters, and gives reminders of due maintenance, preventing damage to the machine.

Long service intervals

The low soot combustion system and no regeneration minimise oil degradation and ensure extended drain intervals.

40%

**IMPROVEMENT
ON SAE
SERVICEABILITY
INDEX!**



MAIN REASONS TO CHOOSE THE CX C-SERIES HYDRAULIC EXCAVATORS



GREEN PERFORMANCE

- Tier 4 Final without DPF
- Low fuel consumption
- Low maintenance costs



HIGH PRODUCTIVITY & VERSATILITY

- More hydraulic power
- Improved controllability: quick response controls and improved simultaneous movements
- More digging force
- More versatility with 3 boom types
- Superior lifting capacity



EASY MAINTENANCE

- Ground level access
- Simplified diagnostics
- Easy cab cleaning





OUTSTANDING COMFORT FOR THE OPERATOR

- Great interior space
- More features
- Outstanding visibility
- Convenient storage compartments



TOP LEVEL SAFETY

- ROPS and FOPS Level 2
- Improved visibility



THE SCIENCE BIT

The Case SiteWatch telematics system uses a high-tech control unit mounted on each machine to collate information from that machine and from GPS satellites. This data is then sent wirelessly through the mobile communication networks to the Case Telematics Web Portal.



SiteWatch: centralised fleet control benefits at your fingertips

📶 Measure your true asset availability and optimise it

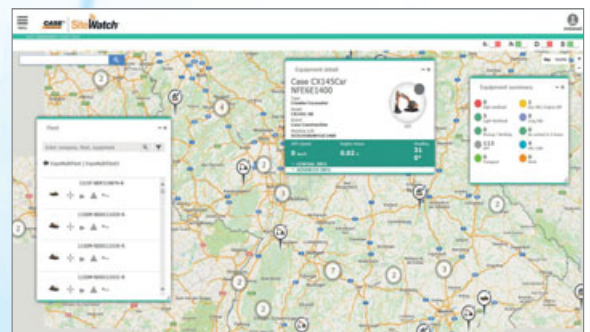
- Eliminate the “phantom fleet”: SiteWatch allows to identify spare units or under loaded machines on each site.
- Become able to reallocate units where they are more needed.
- Forward Maintenance Planning is easier since the actualised working hours are always available.
- Extend the benefits of SiteWatch to the rest of your fleet: SiteWatch can be installed on the units of other brands as well.

📶 Challenge your Total Cost of Ownership!

- Being able to compare the fuel usage of different machine types will allow you choose the right equipment.
- Save on transport costs with planned and grouped maintenance tasks.
- Peace of mind, optimised uptime and lower repair costs: with preventive maintenance you can for example be alerted if the engine needs to be serviced and avoid a disruptive breakdown.
- Be able to compare your asset Return On Investment on different sites.
- Your equipment is used only during working hours. You can set up alerts so that you know if it is in use during the weekend or at night.
- Integrate with the programmed maintenance package, so that you can be sure every machine is at the right place at the right time.

📶 More Safety, Lower Insurance Premium

- Keep thieves away: dissuade them from attacking your asset because it is geo-localised. SiteWatch is hidden so that thieves can't find it quickly.
- Your fleet is used only where you decide. You can define a virtual fence and receive an email when a machine exits that perimeter.



STANDARD AND OPTIONS

STANDARD EQUIPMENT

ENGINE

- Tier 4 final (stage III b) Isuzu au-4le2x engine
 - 41,2 kw
 - 2,2 l hydraulics
- Water-cooled, 4-stroke diesel, 4-cylinders in line
- High capacity fuel tank: 120 l
- Auto-idle and one-touch idle
- Idle shutdown system

TRANSMISSION

- Two-speed hydrostatic transmission, with variable displacement axial piston motor and automatic travel speed shifting
- Mechanical disc brakes in oil bath
- Final drive with planetary gear reduction in oil bath

HYDRAULIC SYSTEM

- Open-center system, two variable displacement axial piston pumps with regulating system for fast cycles and simultaneous movements + 1 independent gear pump for dozer blade operations
- Attachment cushion control
- 3 operating modes (auto, heavy, speed priority)

UNDERCARRIAGE

- 450 mm steel tracks
- 450 mm dozer blade
- 4-lashing points for easy transport
- Step on undercarriage for safe cab access

OPERATOR STATION

- ROPS & FOPS Level 1
- Safety glass for all windows
- One-touch lock front window
- Windshield wiper & washer
- 7" full-color LCD monitor display
- Rear view camera
- Side view camera
- Automatic climate control
- Fully adjustable mechanical suspension seat
- 1 working light on boom
- 1 working light on cab top

OPTIONAL EQUIPMENT

	CX75C SR MONOBOOM	CX75C SR OFFSET BOOM	CX80C MSR SWING BOOM
UPPERCARRIAGE			
FOPS Level 2	x	STD	x
Arm 2.19 m (mono boom)	x	N.A.	x
Arm 2.10 m (offset boom)	N.A.	x	N.A.
Front stone guard (opg level 2)	x	x	x
Front mesh guard	x	x	x
UNDERCARRIAGE			
450 mm rubber tracks	x	x	x
450 mm rubber link tracks	x	x	x
600 mm steel tracks	x	x	x
OPERATOR STATION			
Electric refuel pump	x	x	x
Radio fm/am	x	x	x
HYDRAULIC SYSTEM			
Boom and arm safety valve & warning device for safe lifting operations	x	x	x
Bucket or clamshell circuit	x	x	x
Low flow - electrical proportional control	x	N.A.	x
Hammer circuit hydraulic control (Mono boom - pedal control)	x	N.A.	x
Hammer circuit electrical proportional control (Mono boom - joystick control)	x	N.A.	x
Hammer/high flow circuit electrical proportional control (Mono boom - bi directional oil flow)	x	N.A.	x
Hammer circuit hydraulic control (Offset boom - pedal control)	N.A.	x	N.A.
Hammer circuit electrical proportional control (Offset boom - joystick control)	N.A.	x	N.A.
Double act circuit electrical proportional control (Offset boom - bi directional oil flow)	N.A.	x	N.A.
OTHER OPTIONAL EQUIPMENT			
Site Watch Telematics	x	x	x
Spark Arrester system	x	x	x

Standard and optional equipment shown can vary by country.

CX C-SERIES HYDRAULIC EXCAVATORS

CX75C SR - CX80C MSR

SPECIFICATIONS

ENGINE

Engine Model	ISUZU AP-4LE2X
Rated flywheel horse power (kW) (at min ⁻¹)	41.2 2000
ISO 14396	
Maximum torque (Nm) (at min ⁻¹)	193 1800
ISO 9249	
Emissions level	Tier 4 Final / Stage IIIB
Piston displacement (cc)	2179

HYDRAULIC SYSTEM

Max oil flow (l/min) (at min ⁻¹)	2 x 74 2000
Working circuit pressure	
Boom/Arm/Bucket (MPa)	29.4
Swing circuit (MPa)	22.6
Travel circuit (MPa)	29.4
Pilot pump (1 gear pump)	
Max. oil flow (l/min)	18
Working circuit pressure (MPa)	3.9
Blade pump (1 gear pump)	
Max. oil flow (l/min) (at min ⁻¹)	35.4 2000
Working circuit pressure (MPa)	23.5
Maximum swing speed (min ⁻¹)	10.4
Work mode display	(SP, H, Auto)

PERFORMANCE

Travel speeds (Automatic travel speed shifting)	
High (km/h)	5.1
Low (km/h)	3.2
Boom swing left CX80C	80°
Boom swing right CX80C)	45°
Drawbar pull (kN)	59.5
Grade-ability	70% (35°)

CAPACITIES

Fuel tank (l)	120
Hydraulic system (l)	96.3
Engine oil (l)	11.5
Cooling system (l)	12.2

WEIGHT AND GROUND PRESSURE

CX75C SR MONOBOOM: With 1.69 m Arm, 0.28 m³ bucket, 450 mm grouser shoe, operator, lubricant, coolant, full fuel tank and top guard OPG level 2.

Operating mass (kg)	Shipping mass (kg)*	Ground pressure (kPa)
8000	7630	36

CX75C SR OFFSET BOOM: With 1.75 m Arm, 0.28 m³ bucket, 450 mm grouser shoe, operator, lubricant, coolant, full fuel tank and top guard OPG level 2.

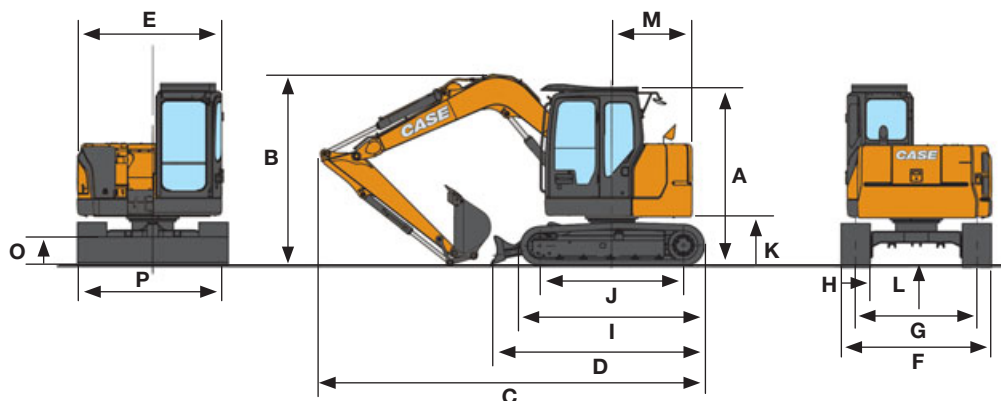
Operating mass (kg)	Shipping mass (kg)*	Ground pressure (kPa)
8360	8010	38

CX80C MSR SWING BOOM: With 1.69 m Arm, 0.28 m³ bucket, 450 mm grouser shoe, operator, lubricant, coolant, full fuel tank and top guard OPG level 2.

Operating mass (kg)	Shipping mass (kg)*	Ground pressure (kPa)
8690	8320	39

*Operating mass: Operator mass 75 kg + 90 % of fuel mass + bucket mass 210 kg

GENERAL DIMENSIONS



CX75C SR

		MONOBOOM Arm 1.69 m	MONOBOOM Arm 2.19 m	OFFSET BOOM Arm 1.75 m	OFFSET BOOM Arm 2.10 m
A Cab height	mm	2760	2760	2860	2860
B Overall height (with attachment)	mm	2760	2860	2970	3160
C Overall length (with attachment)	mm	5755	6340	5945	5875
D Overall length (without attachment)	mm	3410	3410	3410	3410
E Upper structure overall width	mm	2270	2270	2270	2270
F Undercarriage overall width	mm	2320	2320	2320	2320
G Track gauge	mm	1870	1870	1870	1870
H Width of standard shoe	mm	450	450	450	450
I Crawler overall length	mm	2845	2845	2845	2845
J Wheel base (Center to center of wheels)	mm	2210	2210	2210	2210
K Clearance height under upper structure	mm	750	750	750	750
L Minimum ground clearance	mm	360	360	360	360
M Swing (rear end) radius	mm	1290	1290	1290	1290
N Min. front swing radius	mm	1630	1970	2130	2360
				1870*	2090*
O Blade height	mm	450	450	450	450
P Blade width	mm	2320	2320	2320	2320

* Offset 0 / Offset max left

CX80C MSR

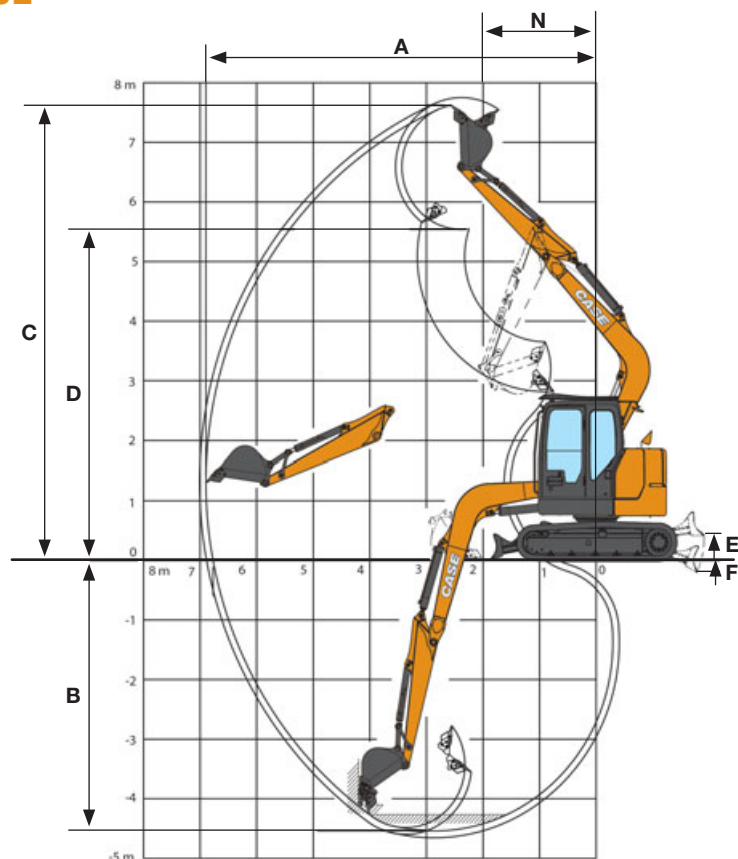
		SWING BOOM Arm 1.69 m	SWING BOOM Arm 2.19 m
A Cab height	mm	2760	2760
B Overall height (with attachment)	mm	2760	2760
C Overall length (with attachment)	mm	6680	6730
D Overall length (without attachment)	mm	3410	3410
E Upper structure overall width	mm	2270	2270
F Undercarriage overall width	mm	2320	2320
G Track gauge	mm	1870	1870
H Width of standard shoe	mm	450	450
I Crawler overall length	mm	2845	2845
J Wheel base (Center to center of wheels)	mm	2210	2210
K Clearance height under upper structure	mm	750	750
L Minimum ground clearance	mm	360	360
M Swing (rear end) radius	mm	1680	1680
N Min. front swing radius	mm	2790	3030
O Blade height	mm	450	450
P Blade width	mm	2320	2320

On all models: 0.28 m³ bucket, 450 mm grouser shoe, operator, lubricant, coolant, full fuel tank and top guard OPG level 2.

CX C-SERIES HYDRAULIC EXCAVATORS

CX75C SR - CX80C MSR

DIGGING PERFORMANCE



CX75C SR

		MONOBOOM Arm 1.69 m	MONOBOOM Arm 2.19 m	OFFSET BOOM Arm 1.75 m	OFFSET BOOM Arm 2.10 m
Arm digging force	kN	39.5	33.8	39.4	34.7
Bucket digging force	kN	56.9	56.9	56.9	56.9
A Maximum reach	mm	6410	6890	6500	6790
B Max. digging depth	mm	4130	4630	4250	4600
C Max. digging height	mm	7370	7770	7380	7590
D Max. dumping height	mm	5280	5670	5310	5520
E Max dozer blade lift above ground	mm	440	440	440	440
F Max dozer drop below ground	mm	280	280	280	280

CX80C MSR

		SWING BOOM Arm 1.69 m	SWING BOOM Arm 2.19 m
Arm digging force	kN	39.5	33.8
Bucket digging force	kN	56.9	56.9
A Maximum reach	mm	6410	6890
B Max. digging depth	mm	4130	4630
C Max. digging height	mm	7370	7770
D Max. dumping height	mm	5280	5670
E Max dozer blade lift above ground	mm	440	440
F Max dozer drop below ground	mm	280	280

LIFTING CAPACITY

CX75C SR - CX80C MSR

Front Side	REACH									
	1.5 m	3.0 m	4.5 m	6.0 m	At max reach	m				

CX75C SR MONOBOOM 1.69 m arm length, 0.28 m³ bucket, 450G shoes, max reach 6.41 m

4.5 m			1840*	1840 *	1680*	1600			1040*	1040*	5.34
3.0 m	3900*	3900 *	2550*	2550 *	1900*	1540			1020*	920	5.99
1.5 m			3360*	2780	2220*	1450	1620 *	890	1080*	850	6.16
0 m			3670*	2580	2330*	1370			1240*	890	5.91
-1.5 m	3660*	3660 *	3410*	2550	2170*	1350			1620*	1080	5.22
-3.0 m	4000*	4000 *	2410*	2410 *					1540*	1540*	3.94

CX75C SR MONOBOOM 2.19 m arm length, 0.22 m³ bucket, 450G shoes, max reach 6.89 m

4.5 m					1560*	1560*			900*	900*	5.89
3.0 m			2020*	2020 *	1720*	1590	1480 *	950	880*	820	6.48
1.5 m	3080*	2870	2110*	1480	1620*	910			930*	760	6.63
0 m	1830*	1830 *	3660*	2610	2320*	1380	1660 *	870	1050*	780	6.4
-1.5 m	3160*	3160 *	3560*	2530	2260*	1340			1320*	920	5.77
-3.0 m	5080*	5080 *	2860*	2570	1650*	1370			1520*	1310	4.62

CX75C SR OFFSET BOOM 1.75 m arm length, 0.28 m³ bucket, 450G shoes, max reach 6.50 m

4.5 m			1740*	1740 *	1590*	1550*			1410*	1080	5.44
3.0 m			2240*	2240 *	1720*	1490	1420 *	840	1410*	820	6.07
1.5 m			2950*	2560	2010*	1330	1490 *	780	1430*	720	6.24
0 m			3290*	2260	2090*	1200			1450*	740	6.0
-1.5 m	3350*	3350 *	3070*	2220	1960*	1160			1460*	890	5.32
-3.0 m	3590*	3590 *	2220*	2220 *					1450*	1420	4.06

CX75C SR OFFSET BOOM 2.10 m arm length, 0.22 m³ bucket, 450G shoes, max reach 6.79 m

4.5 m			1520*	1520 *	1460*	1460*			1230*	980	5.78
3.0 m			2020*	2020 *	1600*	1530	1360 *	870	1250*	750	6.38
1.5 m			2780*	2650	1940*	1360	1450 *	800	1330*	660	6.54
0 m			3230*	2290	2080*	1210	1470 *	740	1370*	670	6.3
-1.5 m	3060*	3060 *	3150*	2190	2010*	1140			1400*	790	5.66
-3.0 m	4260*	4260 *	2480*	2250					1440*	1180	4.49

CX80C MSR SWING BOOM 1.69 m arm length, 0.28 m³ bucket, 450G shoes, max reach 7.09 m

4.5 m					1680*	1680*			1100*	1100*	5.95
3.0 m					2050*	1860*	1740 *	1150	170*	960	6.65
1.5 m			4720*	3230	2790*	1740	2010 *	1110	1150*	890	6.83
0 m			3760*	3020	3170*	1650	2140 *	1070	1340*	930	6.57
-1.5 m	3290*	3290 *	5410*	3070	3100*	1630			1810*	1110	5.84
-3.0 m			3950*	3150					2100*	1690	4.47

CX80C MSR 2.19 m arm length, 0.22 m³ bucket, 450G shoes, max reach 7.56 m

4.5 m							1370*	1210	940*	940*	6.51
3.0 m					1690*	1690*	1640 *	1180	920*	860	7.14
1.5 m			3950*	3360	2560*	1780	1890 *	1120	980*	800	7.3
0 m			4010*	3060	3100*	1660	2120 *	1070	1120*	830	7.06
-1.5 m	2710*	2710 *	5110*	3040	3160*	1620	2080 *	1060	1450*	960	6.4
-3.0 m	4810*	4810 *	4650*	3120	2650*	1670			1980*	1330	5.18

* The above loads (kg) are compliant to the ISO standards and refer to the excavator equipped with bucket. The indicated loads are no more than 87% of hydraulic system lift capacity or 75% of static tipping load. Values marked with an asterisk (*) are limited by the hydraulic lifting capacity rather than the tipping load.





CX80C

EXPERTS FOR THE REAL WORLD

CASE

www.casece.com

EXPERTS FOR THE REAL WORLD
SINCE 1842

CASE
CONSTRUCTION



Form No. 20134GB - MediaCross Firenze - 02/17

**CNH INDUSTRIAL
DEUTSCHLAND GMBH**
Case Baumaschinen
Benzstr. 1-3 - D-74076 Heilbronn
DEUTSCHLAND

CNH INDUSTRIAL FRANCE, S.A.
16-18 Rue des Rochettes
91150 Morigny-Champigny
FRANCE

CNH INDUSTRIAL - UK
First Floor, Barclay Court 2,
Heavens Walk,
Doncaster - DN4 5HZ
UNITED KINGDOM

CNH INDUSTRIAL - SOUTH AFRICA
Waterfall Business Park
Bekker Street, Howick Close
1685 Midrand - Johannesburg
REPUBLIC OF SOUTH AFRICA

**CNH INDUSTRIAL
MAQUINARIA SPAIN, S.A.**
Avda. José Gárate, 11
28823 Coslada (Madrid)
ESPAÑA

CNH INDUSTRIAL ITALIA SPA
Strada di Settimo, 323
10099 San Mauro Torinese (TO)
ITALIA

**CASE CUSTOMER CENTRE
PARIS**
RN 330 - Penchard
77122 - Monthyon
FRANCE

CNH INDUSTRIAL - MIDDLE EAST
DAFZA - Dubai Airport Free Zone
West Wing 4 B, Office 642
P.O. Box 54588, Dubai,
UNITED ARAB EMIRATES

NOTE: Standard and optional fittings can vary according to the demands and specific regulations of each country. The illustrations may include optional rather than standard fittings - consult your Case dealer. Furthermore, CNH Industrial reserves the right to modify machine specifications without incurring any obligation relating to such changes.

Conforms to directive 2006/42/EC

CASE
00800-2273-7373

The call is free from a land line.
Check in advance with your Mobile Operator if you will be charged. Toll free number not available from all calling areas.

