



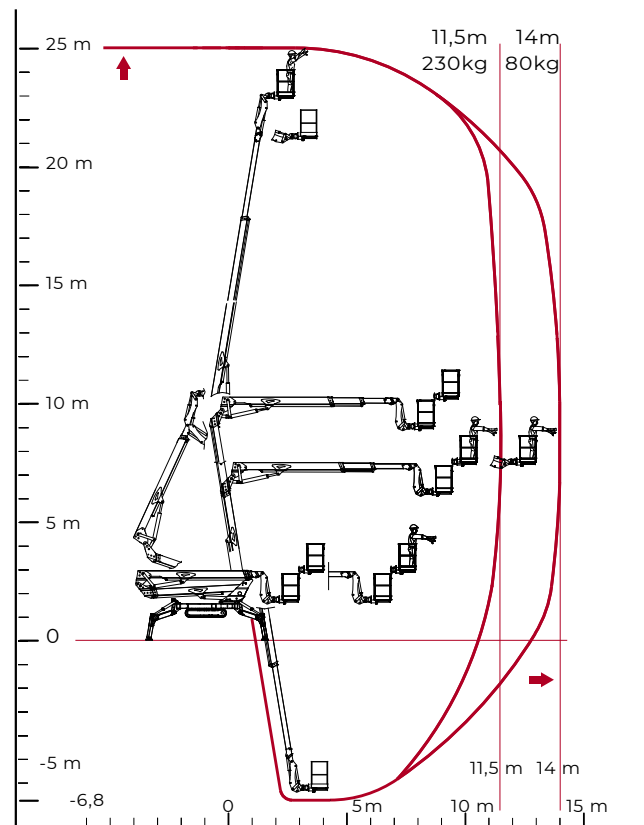
TECHNICAL SHEET

PERFORMANCE AND DIMENSIONS

Main features

This platform has compact design and high-performance capabilities: 25m working height, 14m of horizontal reach and the ability to work in negative, down to -6.8m. With four stabilisation areas, it can perform a wide range of tasks with outstanding efficiency and reliability.

Max. working height	25 m
Possibility of working in negative	-6,8 m
Max. outreach with 80 kg	14 m
Platform height	23 m
Max. load in basket	230 kg
Basket dimensions	1,7 x 0,7 x 1,1 m
Basket rotation	+/-90°
Turret rotation	+/- 200° (400° continuous)
Total weight	3885 Kg



Via Bitritto, 119 - 70124 BARI - ITALY
Tel. +39 080 532 66 06 - Fax +39 080 536 85 41
www.cmclift.com - info@cmclift.com



