



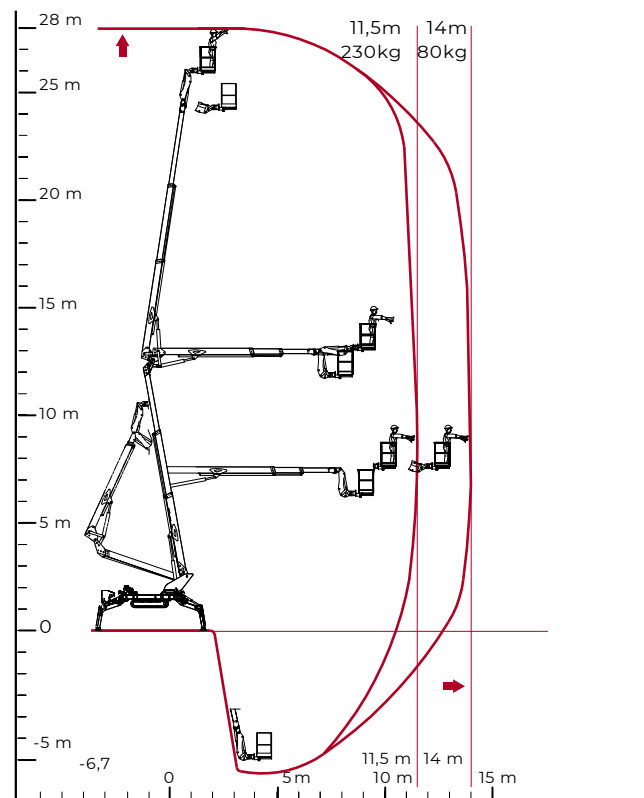
## TECHNICAL SHEET

### PERFORMANCE AND DIMENSIONS

#### Main features

A bundle of power and technology capable of performing in any application. It has four stabilisation areas, two working areas and climbing outriggers for working on all types of terrain and reaching even the most difficult spots with its maximum working height of 28m, lateral outreach of 14m and the ability to work in negative down to -6.7m.

Max. working height	<b>27,9 m</b>
Possibility of working in negative	<b>-6,7 m</b>
Max. outreach with 80 kg	<b>14 m</b>
Platform height	<b>25,9 m</b>
Max. load in basket	<b>230 kg</b>
Basket dimensions	<b>1,7 x 0,7 x 1,1 m</b>
Basket rotation	<b>+/-90°</b>
Turret rotation	<b>+/- 200°(400° continuous)</b>
Total weight	<b>4123 Kg</b>



Via Bitritto, 119 - 70124 BARI - ITALY  
Tel. +39 080 532 66 06 - Fax +39 080 536 85 41  
www.cmclift.com - info@cmclift.com



