



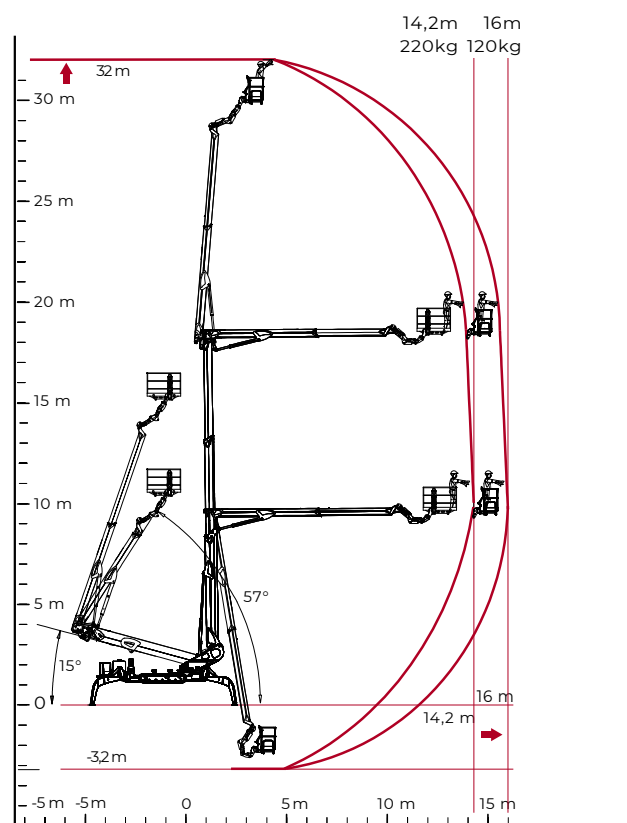
TECHNICAL SHEET

PERFORMANCE AND DIMENSIONS

Main features

Astonishing numbers for this platform, which can reach the height of 32m, but also can work down to - 3.2m, all guaranteed by an automatic guidance and control system which it's the best result of CMC's most advanced technology research. The body machine has an incredibly compact design, with its tracks that can be adjusted in height and width and it's self-loading.

| | |
|------------------------------------|----------------------------------|
| Max. working height | 32 m |
| Possibility of working in negative | -3,2 m |
| Max. outreach with 120 kg | 16 m |
| Platform height | 30 m |
| Max. load in basket | 220 kg |
| Basket dimensions | 1,7 x 0,7 x 1,1 m |
| Basket rotation | +/- 90° |
| Turret rotation | +/- 200°(400° continuous) |
| Total weight | 7240 Kg |



Via Bitritto, 119 - 70124 BARI - ITALY
Tel. +39 080 532 66 06 - Fax +39 080 536 85 41
www.cmclift.com - info@cmclift.com



